

## ORBIWELD, THE NEW ORBITAL WELDHEAD GENERATION WITH UNEXCEEDED FEATURES

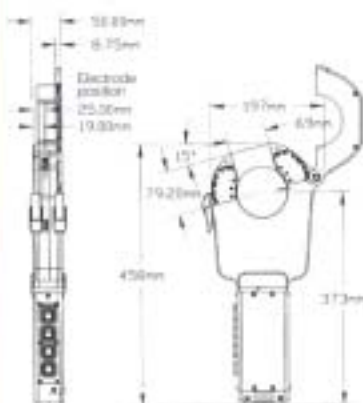


- IN-HANDLE INTEGRATED REMOTE CONTROL
- QUICK-CHANGE SYSTEM FOR COLLETS
- HIGH DUTY CYCLE THROUGH HIGHLY EFFICIENT WATER COOLING
- COLLETS FOR NEARLY ALL STANDARD ELBOWS AND FITTINGS

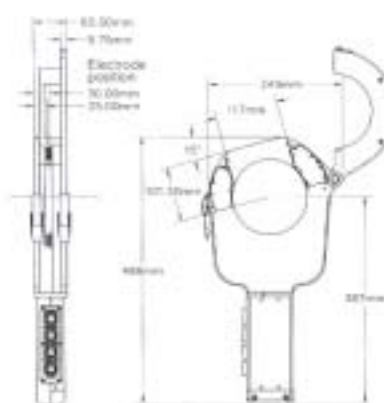
The closed chamber ORBIWELD heads are available in 3 different sizes:

ORBIWELD 65	for tube O.D.	6 – 65 mm
ORBIWELD 115	for tube O.D.	20 – 115 mm
ORBIWELD 170	for tube O.D.	50 – 170 mm

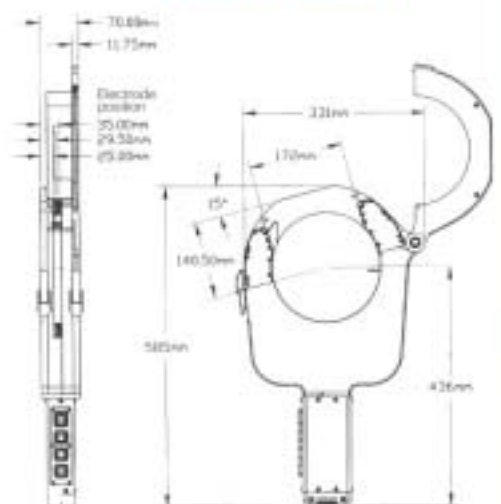
**ORBIWELD 65**



**ORBIWELD 115**



**ORBIWELD 170**





With the new ORBIWELD series ORBIMATIC has designed a weldhead range, which is distinguished by its high thermal load capacity. This development had been brought on by the changing requirements from the chemical, pharmaceutical, and food-processing industries. Now there are new applications with increased wall-thickness requiring more heat-resistant weldheads.

With specially designed water channels running completely throughout the whole weldhead body, a highly efficient heat exchange was created. This allows nearly continuous weld cycles even with high currents and high duty cycles.

The closed chamber design of the weldheads and the unique internal gas delivery system ensure a continuous non-turbulent gas shield around the whole weld joint resulting in minimal O.D. oxidation.

Another unique feature is the newly developed quick-changing system for the collets. No longer will you need any screws and tools for changing the collets! Without anything else, other than your hands, the collets can be easily snapped in or out of position while still ensuring proper, precise alignment of welded parts.



With a built-in integrated remote control in the rugged weldhead handle all critical welding commands can be transmitted to the power-source. This eliminates the need for an additional remote pendant.

Specifications subject to change without notice



## ORBIMATIC GmbH

Flösser Weg 17

D-35418 Buseck (Alten-Buseck)

Telefon (0 64 08) 90 26-0 · Fax (0 64 08) 90 26-50

E-mail: [Orbimatic@t-online.de](mailto:Orbimatic@t-online.de)

Internet: <http://www.orbimatic.com>